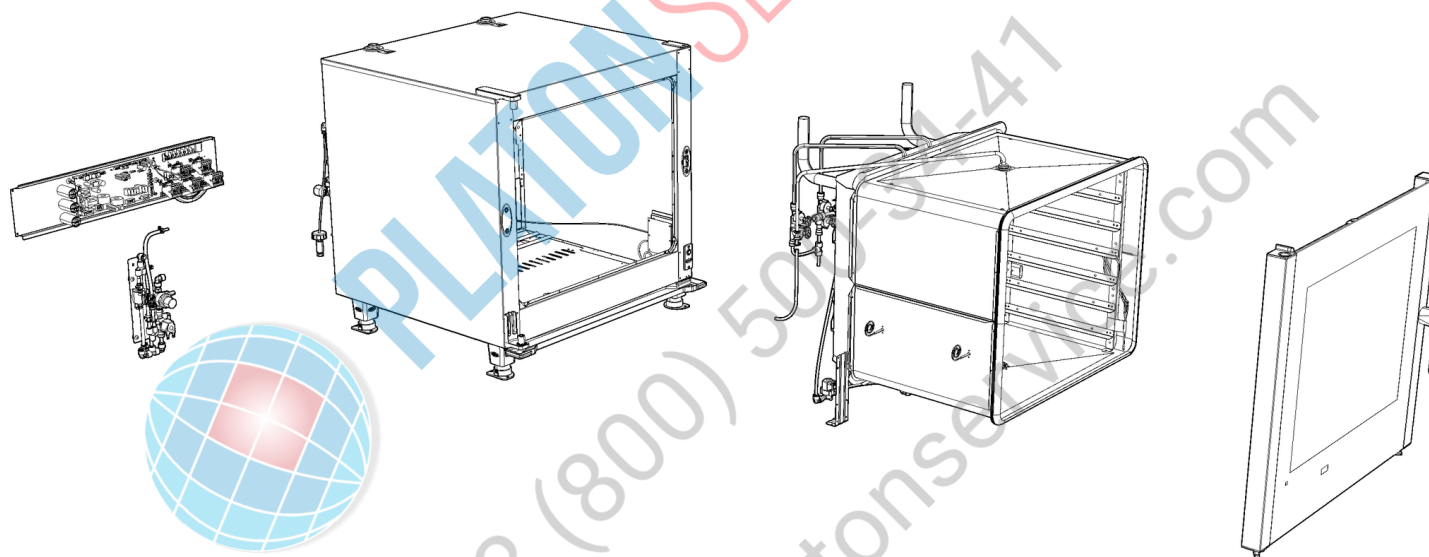
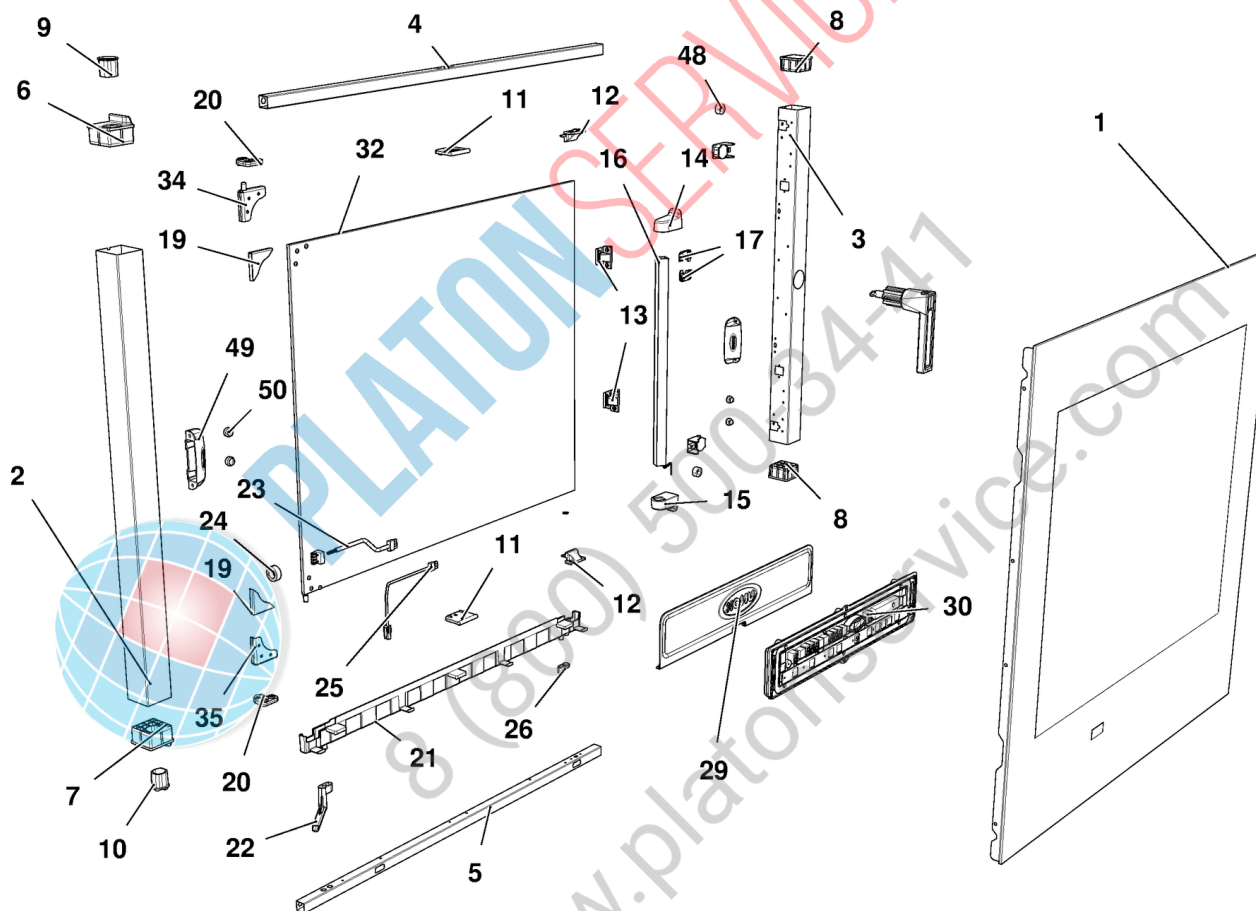


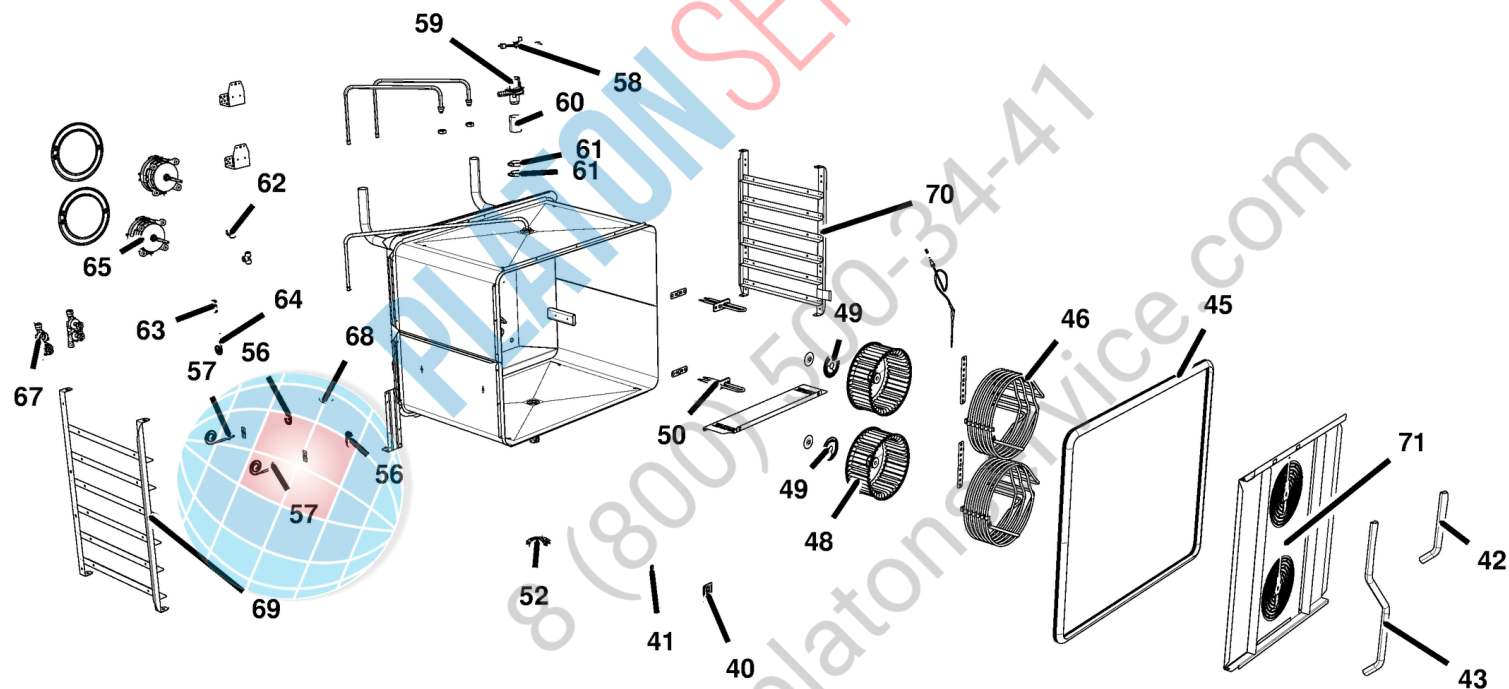
# MOD:XBC605E



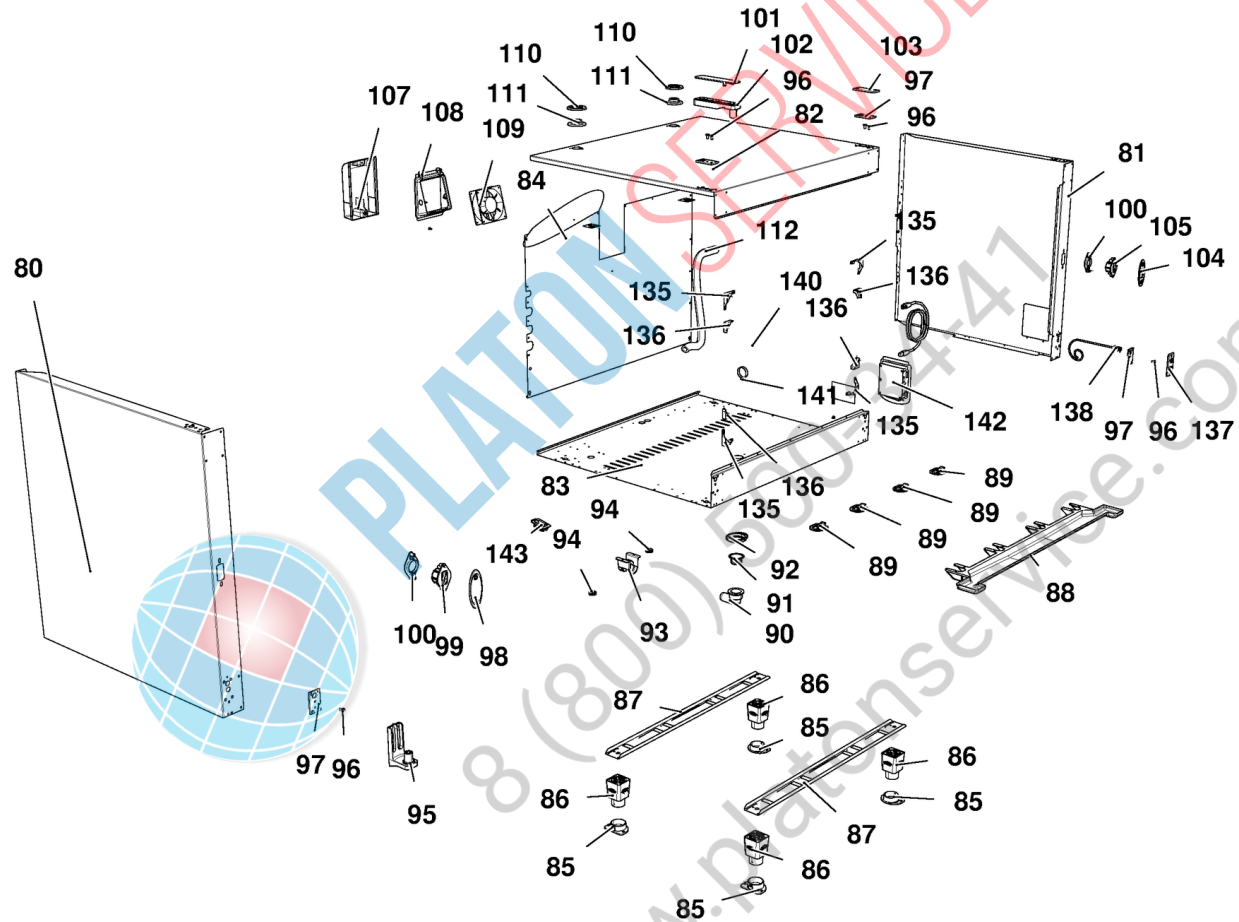
# MOD:XBC605E

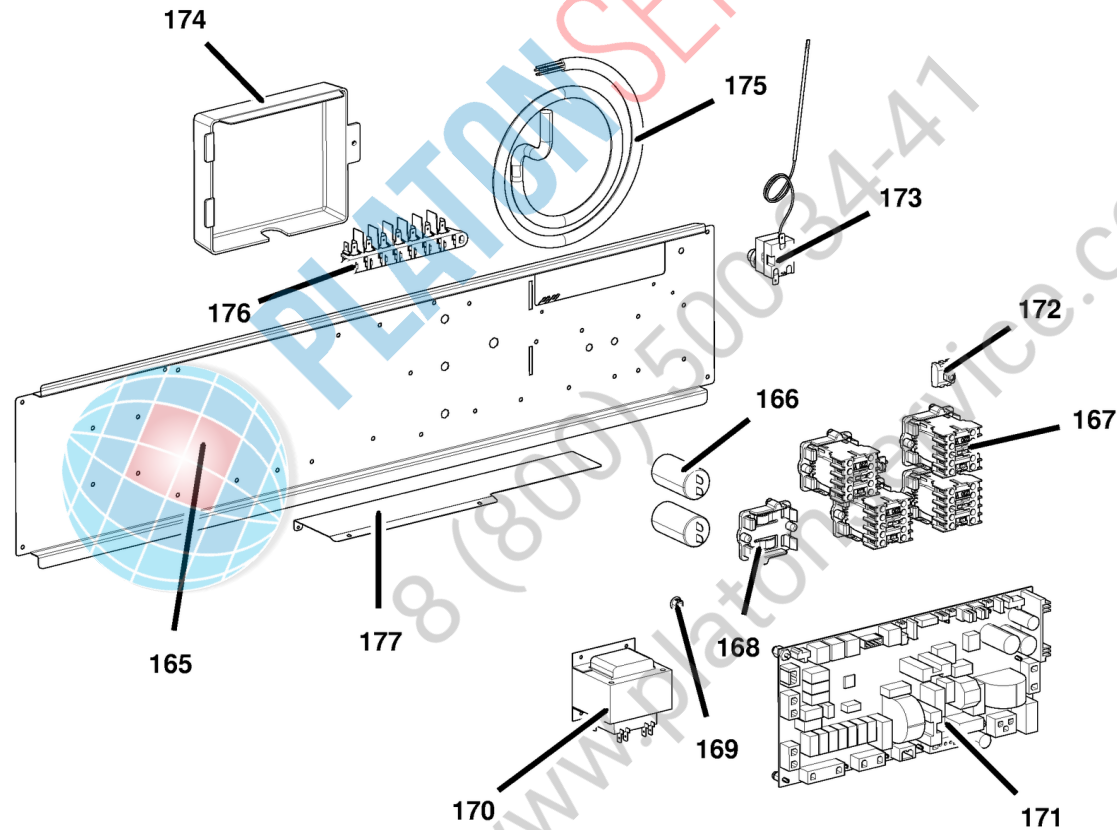


# MOD:XBC605E

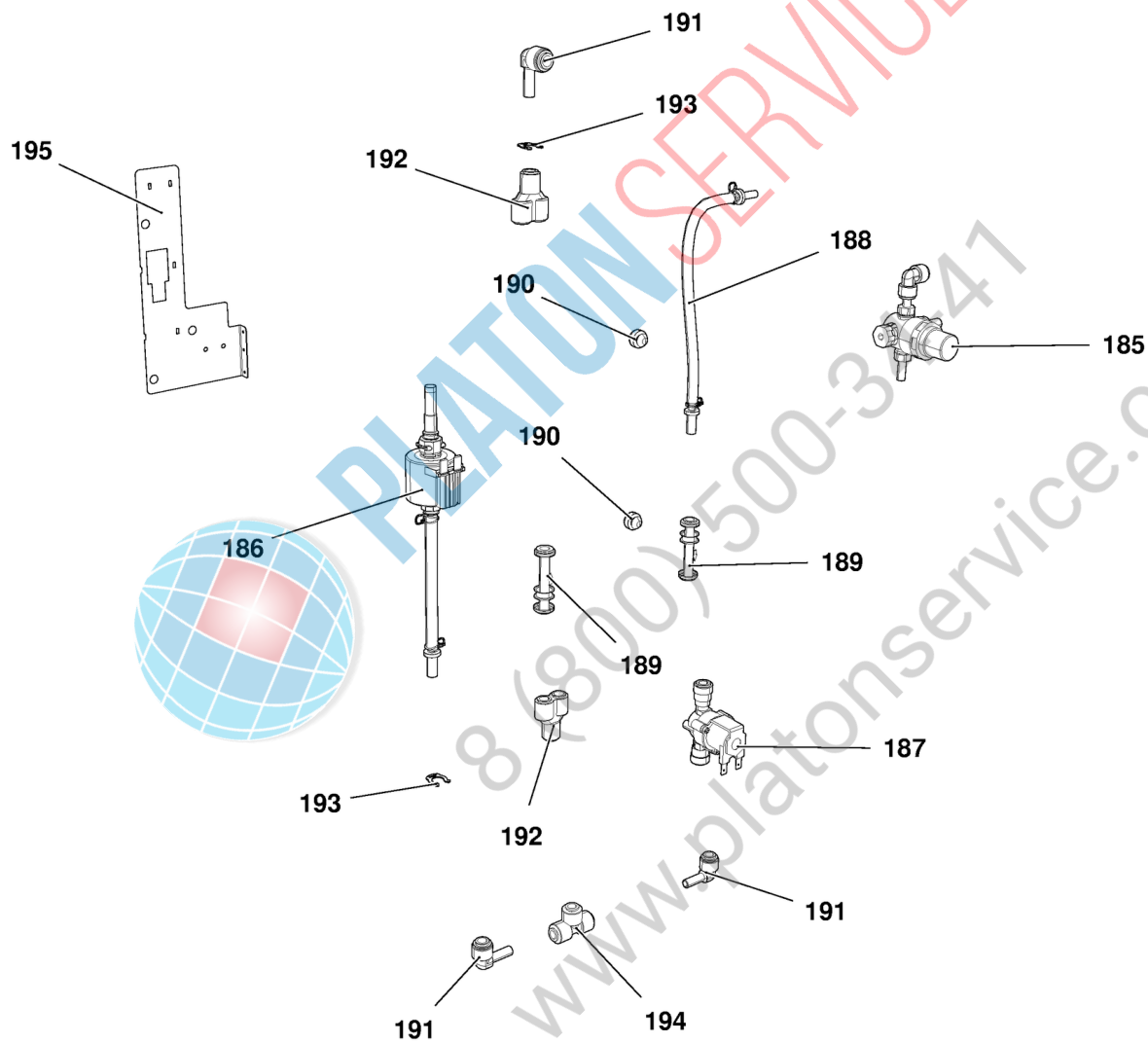


# MOD:XBC605E





# MOD:XBC605E



# MOD:XBC605E



IT

## Descrizione codici

1	VT1136B	VETRO ESTERNO SER. 757X743X4 CHIARO
2	TB1191A	COLONNINA SX PORTA XVC505 XBC605
3	TB2315A	COLONNINA DX PORTA XVC505E-XBC605E
4	TB1361A	LISTELLO SUP. BT S.5E 20x20x1
5	TB1362A	LISTELLO INF. BT S.5E 20x20x1
6	VM1170B	TAPPO FULCRO SUP. PORTA XVC204/304/504/7
7	VM1171B	TAPPO FULCRO INF. PORTA XVC204/304/504/7
8	VM1175A	TAPPO ESTETICO COLONNINA PORTA
9	VM1511A	BOCCOLA LISCIA PERNO PORTA CHEFTOP
10	VM1510A	BOCCOLA SCANALATA PERNO PORTA XBC/XVC
11	VM2031A	PREMIVETRO ESTERNO
12	VM2043A	SUPPORTO VETRO SUP - INF
13	VM2042A	ASSIEME CHIUSURA VETRO INTERNO LAT
14	VM1621A	SUPPORTO SUP BARRA LED
15	VM1620A	SUPPORTO INF BARRA LED
16	LP1002B	BARRA ILLUMINAZIONE LED L400
17	VM1490A	COPRI VITI MANIGLIA CHEFTOP BAKERTOP
19	GN1181A	GUARNIZIONE CERN VETRO INT CR1085-1086
20	VM1680A	CERNIERA APERTURA VETRO INTERNO
21	VM1617A	PROFILO SALVAGOCIA 400/600/800
22	VM2014A	TUBO PER PROFILO RACCOGLI GOCCE SX
23	CE1310A	CAVO COLLEGAMENTO POTENZA CONTROLLO L3.5
24	CE1285A	FERRITE EMI ROUND MOD. 2643801502
25	CE1665A	CAVO ALIMENTAZIONE BARRA LED 1 MT
26	VM2044A	TAPPO PER PROFILO RACCOGLI GOCCE
29	OH4310A	PROFILO INOX PARACALORE CRUSCOTTO STP
30	PE1740C	SCHEDA CONTROLLO PE1705 CT BT
32	VT1135A	VETRO INTERNO 743X620X6 BETFL
34	CR1085A	CERNIERA VETRO INT INOX SUP
35	CR1086A	CERNIERA VETRO INT INOX INF
36	ED1291A	ETICHETTA LOGO Croustifrance

48	VE1030A	CALAMITA D=22,9mm PER MICROPORTA
49	VM1591A	STAFFA SPINGIVETRO INTERNO XVC1004
50	VM1630A	TAPPO PREMI VETRO INTERNO
40	OH7030A	COPERCHIO INGRESSO BULBO
41	GN1531A	GUARNIZIONE TENUTA INGRESSO BULBO
42	TB2277A	TUBO INT. UMIDITA' 2 MOTORI Ø16x1
43	TB2278A	TUBO INT. UMIDITA' 2 MOTORI Ø16x1
44	OG1488A	CARTER ARIA BT 600E USA CON ALETTE
45	GN1342C	GN1006A - GUARNIZIONE PORTA XBC605E
46	RS1225A	RES. CIRCOLARE 4700W 230V D230 6 SPIRE
48	VN1030A	VENTOLA D196 H81 39 PALE DADO M8
49	OH4305A	DISCO TENUTA ALBERO MOTORE INOX STP
50	RS1215A	RES. PIANA 147W 105V D230 1 SPIRA
52	OH2551A	TAPPO PER TUBO DI SCARICO LIQUIDI INOX C
53	TR1041A	SONDA AL CUORE STAMPATA L=2000
56	VM1465A	COPERCHIO Sonda TEMPERATURA CHEFTOP
57	TR1105A	SONDA TEMPERATURA PT100 L=1000
58	VL1037A	GIRANTE LAVAGGIO
59	VE1135A	ATTUATORE VENTURI 220V 50/60 Hz SERIE 2
60	TB1956A	TB1520A-TUBO NERO EPDM L=50
61	RC1378A	FASCETTA STRINGI TUBO ZINCATA
62	EL1020A	RACCORDO INTERMEDIO "T" TUBO Ø8
63	EL1055A	RIDUZIONE INTERMEDIA D10-D8
64	PE1710A	SENSORE NUMERO GIRI MOTORE
65	VN1130A	MOTORE FORNO 330W 230V 50/60HZ
67	EL1361A	ELETTROVALVOLA TRI-STADIO JG D8-D10
68	OH6190A	LAMIERA PROTEZIONE Sonda CAMERA CT-BT
69	GRL1267A	SUPPORTO LAT. SX 6x600x400
70	GRL1268A	SUPPORTO LAT. DX 6x600x400
71	OG1399B	CARTER ARIA XBC605E CON ALETTE
80	OD2150A	FIANCO SX XBC615EG

81	OD2151A	FIANCO DX XBC615EG
83	OE1312A	FONDO EST. BT S.5-E
84	OF1437A	SCHIENA XBC605E
85	PD1063A	STAFFA BLOCCAGGIO PIEDE CT BT
86	PD1060A	PARTE FISSA PIEDE CT BT
87	OH6395A	LONGHERONE BT S.5-E
88	VM1992A	CASSETTO RACCOGLI GOCCE 860
89	VM2074A	CLIP CON VITE PER SUPPORTO CASSETTO
91	GN1400A	GUARNIZIONE SIFONE
93	VM2035A	SUPPORTO PER TUBO DI SCARICO
94	VM1505A	PASSAPARETE CON DIAFRAMMA
95	VM1160B	STAFFA INFERIORE PORTA CT BT
96	VM1240A	TAPPO NYLON SUPPORTO CONTROSTAFFA
97	OH2560A	CONTROSTAFFA ZINCATA PORTA C.T.
99	VM1191A	SCROCCO MANIGLIA SX CT BT
100	VM1192A	COPERCHIO SCROCCO MANIGLIA CT BT
102	VM1165B	STAFFA SUPERIORE PORTA CT BT
103	VM1195A	PIASTRINA COPRIFORI XVC204/304/504/704
104	VM1460A	COPERCHIO DX SCROCCO PORTA XBC/XVC
105	VM1190A	SCROCCO MANIGLIA DX CT BT
107	VM1556A	PROTEZIONE VENTOLA RAFFREDDAMENTO CT-BT
108	VM1555A	SUPPORTO VENTOLA RAFFREDDAMENTO CT BT
109	VN1163A	VENTOLA RAFFREDDAMENTO 230V
111	GN1275A	GUARNIZIONE CAMINO SILICONE NERO XVC
112	TB1924A	TUBO SILICONE VENTURI D25 XBC605
135	OH1450A	ANGOLO FACCIATA MUFFOLA INOX XB-XV-XG
137	VM1201A	PIASTRINA SUPPORTO MICROPORTA MAGNETICO
138	VE1020A	MICROINTERRUTTORE PORTA MAGNETICO
140	TB2027A	TUBO COLLEGAMENTO SCARICO XJBC
141	RC1055A	FASCETTA STRINGI TUBO D25-40 H12 INOX
143	VM2061A	PASSAPARETE CAVI ACCESSORI COMPLETO

165	OP1006B	PORTACOMPONENTI BT EL S.5E
166	CN1003A	CONDENSATORE CORAZZATO 6,3 uF
167	VE1115A	MINICONTATTORE QUADRIPOLE 20 A 230 V
168	VM1056A	STAFFA TELERUTTORE PICCOLO VE1115A
169	VM1840A	TAPPO NYLON NERO DIAM. 9,5 MM
170	VE1026A	TRASFORMATORE 230-21-12Vac 90VA
171	PE1725E	SCHEDA POTENZA FORNI CT-BT S5.E 21Vac
172	VM1750A	MORSETTIERA A PETTINE
173	TR1136A	TERMOSTATO SIC. UNIP. 330°C
174	VM1310A	SCATOLA COPRI MORSETTIERA XB/XV/XVC/XG
175	CE1355A	CAVO 5X2,5MMQ H07RN-F L=1,5MT
176	MR1004A	MORSETT. 7FTW GV V0 VL CU 1+2+3/4+5+6
177	OH7078A	PROFILO PROTEZIONE SCHEDA POTENZA H70
185	VL1014A	RIDUTTORE DI PRESSIONE CON DISTRIBUTORE
186	VL1038A	POMPA VIBRAZIONE
187	EL1411A	ELETTROVALVOLA H2O CON CHECK VALVE
188	TB2403A	TUBO PVC Ø9X6 L 250 MM
189	EL1180A	RACCORDO NON RITORNO Ø8 Ø8 FEMMINA
190	VM1630A	TAPPO PREMI VETRO INTERNO
191	EL1195B	RACCORDO GOMITO D8F-D8M
192	EL1115B	RACCORDO Y D8
193	EL1345A	CLIP BLOCCA PINZETTA RACCORDI Ø8
194	EL1020A	RACCORDO INTERMEDIO "T" TUBO Ø8
195	OH6413A	SUPPORTO IMPIANTO IDRICO

# MOD:XBC605E



EN

## Codes descriptions

1	VT1136B	EXT. GLASS SILKSCREENED 757X743X4
2	TB1191A	
3	TB2315A	
4	TB1361A	S. E BAKERTOP DOOR UPPER LISTEL
5	TB1362A	S. E BAKERTOP DOOR LOWER LISTEL
6	VM1170B	UPPER DOOR FULCRUM CAP
7	VM1171B	DOOR LOWER FULCRUM CAP
8	VM1175A	DOOR COLUMN BLANKING CAP
9	VM1511A	XBC/XVC SLEEK DOOR PIN BUSHING
10	VM1510A	XBC/XVC GROOVED DOOR PIN BUSHING
11	VM2031A	EXTERNAL GLASS PUSHING PLATE
12	VM2043A	UPPER - LOWER GLASS SUPPORT
13	VM2042A	INTERNAL GLASS LATERAL LOCKING SYSTEM
14	VM1621A	LED BAR UPPER SUPPORT
15	VM1620A	LED BAR LOWER SUPPORT
16	LP1002B	LED LIGHTING BAR L400
17	VM1490A	CHEFTOP/BAKERTOP HANDLE SCREWS COVER
19	GN1181A	INTERNAL GLASS HINGE SEAL
20	VM1680A	INTERNAL GLASS HINGE
21	VM1617A	DRIP PROFILE
22	VM2014A	LEFT DRIP PROFILE PIPE
23	CE1310A	POWER - CONTROL BOARD CONNECTING CABLE
24	CE1285A	EMI ROUND FERRITE MOD.2643801502
25	CE1665A	LED POWER SUPPLY 1 M CABLE
26	VM2044A	DRIP PROFILE CAP
29	OH4310A	ST. STEEL HEAT-GUARD FOR CONTROL PANEL
30	PE1740C	CT BT CONTROL BOARD PE1705 + BOARD COVER
32	VT1135A	INTERNAL GLASS 743x620x6 XBC604
34	CR1085A	INTERNAL GLASS UPPER HINGE
35	CR1086A	INTERNAL GLASS LOWER HINGE
36	ED1291A	Croustifrance LOGO LABEL

48	VE1030A	MAGNET FOR DOOR MICROSWITCH D=22,9mm
49	VM1591A	GLASS BRACKET INT. XVC1004
50	VM1630A	INTERNAL GLASS PUSHING CAP
40	OH7030A	INLET COVER BULB
41	GN1531A	PROBE SEALING
42	TB2277A	2 MOTORS INTERNAL WATER PIPE Ø16x1
43	TB2278A	2 MOTORS INTERNAL WATER PIPE Ø16x1
44	OG1488A	
45	GN1342C	XBC605E DOOR SEAL - GN1006A
46	RS1225A	6 T. HEATING ELEMENT 1,7+1,7+1,3 KW 230V
48	VN1030A	MOTOR FAN D196 H81 39 BLADE NUT M8
49	OH4305A	ST. STEEL SEALING DISC FOR MOTOR SHAFT
50	RS1215A	147W 105V D230 1 TURN FLAT ELEMENT
52	OH2551A	XBC/XVC ST. STEEL DRAIN COVER
53	TR1041A	MOLDED CORE PROBE L=2000
56	VM1465A	CHEFTOP TEMPERATURE PROBE COVER
57	TR1105A	TEMPERATURE PROBE PT100 L=1000
58	VL1037A	WASHING SYSTEM ROTOR
59	VE1135A	VENTURI ACTUATOR 220 V 50/60 Hz SERIES 2
60	TB1956A	TB1520A - EPDM BLACK PIPE L=50
61	RC1378A	HOSE CLAMP
62	EL1020A	INTERMEDIATE "T" CONNECTION Ø8
63	EL1055A	INTERMEDIATE REDUCTION FROM D=10 TO D=8
64	PE1710A	MOTOR REVOLUTIONS SENSOR
65	VN1130A	330W 230V 50/60HZ MOTOR
67	EL1361A	J.G. THREE-STAGE SOLENOID VALVE D8-D10
68	OH6190A	CT-BT TEMPERATURE PROBE PROTECTION
69	GRL1267A	LEFT LATERAL SUPPORT 6x600x400
70	GRL1268A	RIGHT LATERAL SUPPORT 6x600x400
71	OG1399B	XBC605E FAN GUARD WITH FLAPS
80	OD2150A	XBC605E/615EG EXTERNAL LEFT PANEL

81	OD2151A	XBC605E/615EG EXTERNAL RIGHT PANEL
83	OE1312A	5 - E.S. BAKERTOP EXTERNAL BOTTOM PANEL
84	OF1437A	
85	PD1063A	CT BT FOOT STOP BRACKET
86	PD1060A	CT BT FOOT FIX COMPONENT
87	OH6395A	S. 5-E BAKERTOP FEET BRACKET
88	VM1992A	E SERIES BAKERTOP DRIP TRAY
89	VM2074A	C.T. DRIP TRAY FIXING CLIP WITH SCREW
91	GN1400A	U-TRAP SEAL
93	VM2035A	DRAIN PIPE SUPPORT
94	VM1505A	WALL PASSING WITH DIAPHRAGM
95	VM1160B	CT BT DOOR LOWER BRACKET
96	VM1240A	NYLON SUPPORT CAP
97	OH2560A	XBC/XVC ZINC PLAT. DOOR COUNTERBRACKET
99	VM1191A	CT BT LEFT DOOR SPRING LATCH
100	VM1192A	CT BT DOOR SPRING LATCH COVER
102	VM1165B	CT BT DOOR UPPER BRACKET
103	VM1195A	HOLES BLANKING PLATE XVC204/304/504/704
104	VM1460A	XBC/XVC RIGHT DOOR LATCH CAP
105	VM1190A	CT BT RIGHT DOOR SPRING LATCH
107	VM1556A	XBC-XVC COOLING FAN GUARD
108	VM1555A	CT BT COOLING DOWN FAN SUPPORT
109	VN1163A	COOLING FAN 230V
111	GN1275A	XBC/XVC BLACK CHIMNEY SEALING
112	TB1924A	VENTURI SILICON TUBE D25 XBC605
135	OH1450A	XB-XV-XG ST. STEEL MUFFLE FRONT CORNER
137	VM1201A	MAGNETIC SUPPORT PLATE FOR DOOR MICROSW.
138	VE1020A	MAGNETIC DOOR MICROSWITCH
140	TB2027A	TB1520-CONNECTING PIPE DRAIN XIBC
141	RC1055A	STAINLESS STEEL CLIP TO TIGHT
143	VM2061A	ACCESSORIES CABLES WALL PASSING

165	OP1006B	E SERIES BAKERTOP COMPONENTS HOLDER
166	CN1003A	CONDENSER6,3 UF
167	VE1115A	MINI CONTACTOR WITH 4 POLES 20 A 230 V
168	VM1056A	SUPPORT MINI CONTACTOR VE1115A
169	VM1840A	BLACK NYLON CAP DIAM. 9,5mm
170	VE1026A	TRANSFORMER 230-21-12Vac 80VA
171	PE1725E	E SERIES CHEFTOP-BAKERTOP POWER CARD
172	VM1750A	TERMINAL BOARD
173	TR1136A	SAFETY THERMOSTAT UNIP. 330°C
174	VM1310A	COVER FOR TERMINAL BOX XB/XV/XVC/XG
175	CE1355A	CABLE 5 X 2,5 MMQ H07RNF L = 1,5 MT
176	MR1004A	TERMINAL 7FTW GV V0 LU CL 1+2+3/4+5+6
177	OH7078A	POWER CARD PROTECTING PROFILE H70
185	VL1014A	PRESSURE REDUCER WITH DISTRIBUTOR
186	VL1038A	VIBRATION PUMP
187	EL1411A	SOLENOID VALVE WITH CHECK VALVE
188	TB2403A	Ø9X6 L 250 MM PVC PIPE
189	EL1180A	Ø8 Ø8 FEMALE NON-RETURN CONNECTION
190	VM1630A	INTERNAL GLASS PUSHING CAP
191	EL1195B	D8F-D8M ELBOW CONNECTION
192	EL1115B	Y D8 CONNECTION
193	EL1345A	CLIP TO FIX Ø08 mm CONNECTION JOINT
194	EL1020A	INTERMEDIATE "T" CONNECTION Ø8
195	OH6413A	WATER SYSTEM SUPPORT